

Calhoun

Two-Piece Elongated Bowl Toilet



Product Features

- 1.28 gpf
- Gravity-fed siphon jet flush
- Vitreous china
- 16-1/2" elongated bowl
- Rough-In: 10"
- Flush Valve: 3"
- Trapway: 2" fully glazed
- Water Spot: 9" x 6"
- Front-mounted chrome trip lever with brass arm
- Sanitary bar on bowl for easy cleaning
- Quick-connect, two-bolt tank-to-bowl installation

Optional Accessories/Available Parts

- PF9412FLPK** Fill Valve Assembly
PF9412FVPK Flush Valve Assembly
PF5112TLCPPK Chrome Flush Lever



Codes and Certifications



- IAPMO/cUPC
- EPA WaterSense Certified
- ASME A112.19.2 / CAS B45.1
- MaP Rated 1000g
- Meets ADA requirements when installed according to ADA guidelines

Available Colors: White (WH)

Tank

PF6110WH 10" Rough-In Tank

Bowl

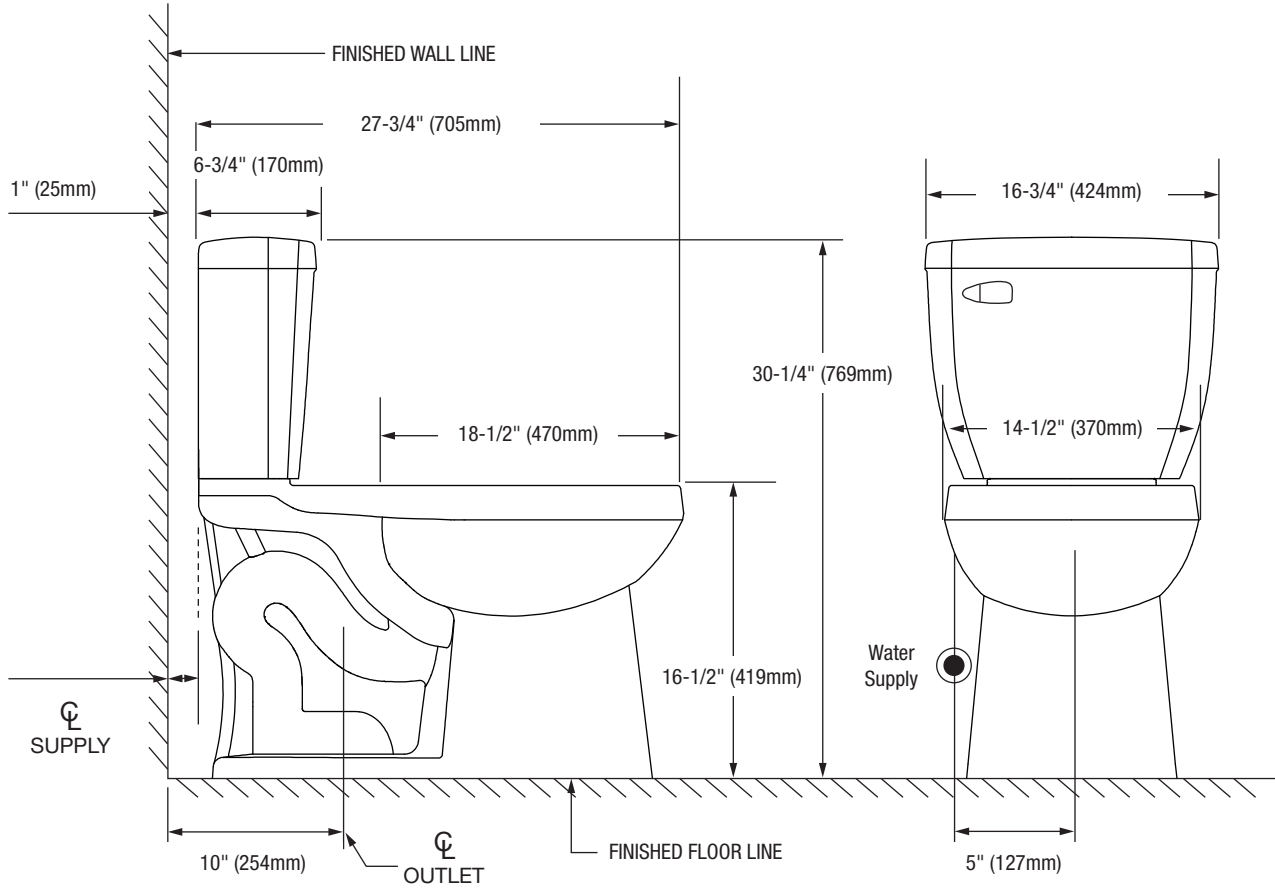
PF1502FWH Elongated, Large Footprint Bowl - 16-1/2"

This product comes complete with installation, operating, care and maintenance instructions. All PROFLO fixtures carry a lifetime limited warranty on the vitreous china and a 5-year limited warranty on the fittings. Visit ferguson.com for detailed warranty information.

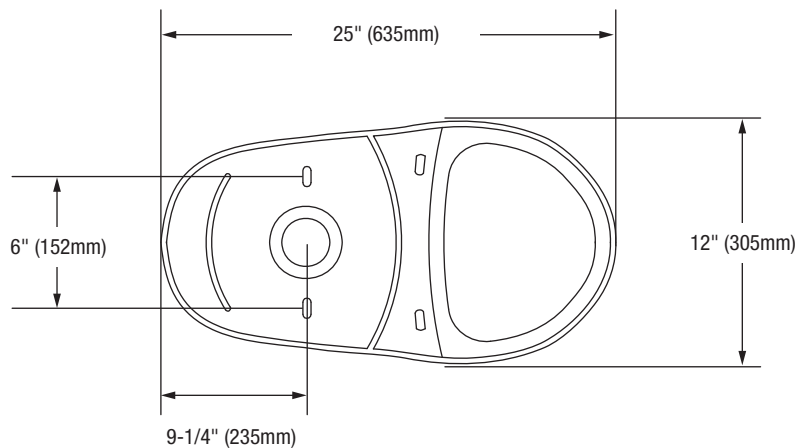


Calhoun

Two-Piece Elongated Bowl Toilet



Bowl Footprint Dimensions



Note: All dimensions and specifications are nominal and may vary: Dimensions of 8" and greater have a tolerances of +3%. Dimensions less than 8" have a tolerances of +5%.

Calhoun

Two-Piece Elongated Bowl Toilet



Product Features

- 1.28 gpf
- Gravity-fed siphon jet flush
- Vitreous china
- 16-1/2" elongated bowl
- Rough-In: 12"
- Flush Valve: 3"
- Trapway: 2" fully glazed
- Water Spot: 9" x 6"
- Front-mounted trip lever with brass arm (chrome/white available)
- Sanitary bar on bowl for easy cleaning
- Quick-connect, two-bolt tank-to-bowl installation

Optional Accessories/Available Parts

- PF9412FLPK** Fill Valve Assembly
PF9412FVPK Flush Valve Assembly
PF5112TLCPPK Chrome Flush Lever



Codes and Certifications



- IAPMO/cUPC
- EPA WaterSense Certified
- ASME A112.19.2 / CAS B45.1
- MaP Rated 1000g
- Meets ADA requirements when installed according to ADA guidelines

Available Colors: White (WH)

Tank

- | | |
|------------------|-------------------------------------|
| PF6112WH | 12" Rough-In Tank with Chrome Lever |
| PF6112WHM | 12" Rough-In Tank with White Lever |
| PF6112RWH | 12" Rough-In Right-Hand Tank |

Bowl

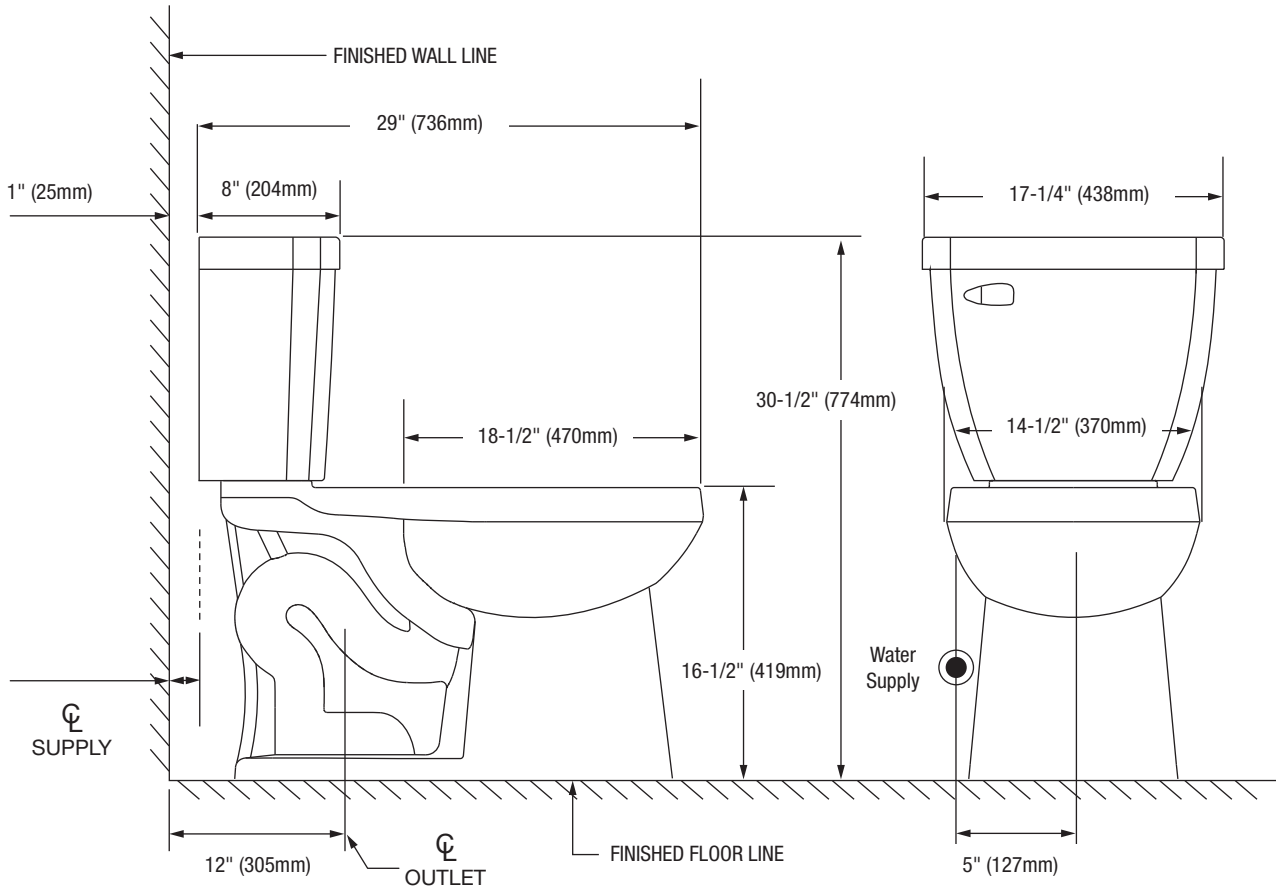
- | | |
|------------------|---|
| PF1502FWH | Elongated, Large Footprint Bowl - 16-1/2" |
|------------------|---|

This product comes complete with installation, operating, care and maintenance instructions. All PROFLO fixtures carry a lifetime limited warranty on the vitreous china and a 5-year limited warranty on the fittings. Visit ferguson.com for detailed warranty information.

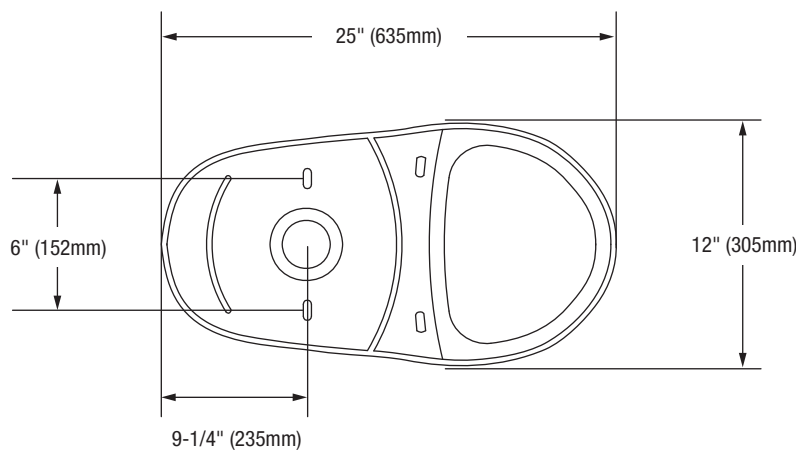


Calhoun

Two-Piece Elongated Bowl Toilet



Bowl Footprint Dimensions



Note: All dimensions and specifications are nominal and may vary: Dimensions of 8" and greater have a tolerances of +3%. Dimensions less than 8" have a tolerances of +5%.

Calhoun

Two-Piece Elongated Bowl Toilet



Product Features

- 1.28 gpf
- Gravity-fed siphon jet flush
- Vitreous china
- 16-1/2" elongated bowl
- Rough-In: 14"
- Flush Valve: 3"
- Trapway: 2" fully glazed
- Water Spot: 9" x 6"
- Front-mounted chrome trip lever with brass arm
- Sanitary bar on bowl for easy cleaning
- Quick-connect, two-bolt tank-to-bowl installation

Optional Accessories/Available Parts

- PF9412FLPK** Fill Valve Assembly
PF9412FVPK Flush Valve Assembly
PF5112TLCPPK Chrome Flush Lever



Codes and Certifications



- IAPMO/cUPC
- EPA WaterSense Certified
- ASME A112.19.2 / CAS B45.1
- MaP Rated 1000g
- Meets ADA requirements when installed according to ADA guidelines

Available Colors: White (WH)

Tank

PF6114WH 14" Rough-In Tank

Bowl

PF1502FWH Elongated, Large Footprint Bowl - 16-1/2"

This product comes complete with installation, operating, care and maintenance instructions. All PROFLO fixtures carry a lifetime limited warranty on the vitreous china and a 5-year limited warranty on the fittings. Visit ferguson.com for detailed warranty information.



